



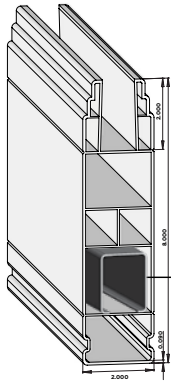
KAUFFMANS

D I S T R I B U T I O N

1094 Deer Lodge Hwy, Clarkrange, TN 38553
PH 931-863-3059 | FX 931-863-4166 | sales@kgazebos.com

Vinyl Extrusion Catalog

PRIVACY FENCE POCKET RAIL



Proper G3RFH148 steel insert orientation shown for bottom rail. Reverse for top rail.

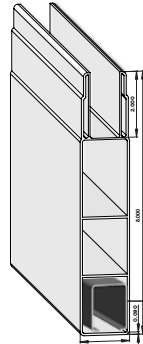
2" X 8" NEXUS® POCKET RAIL

W=White, T=Tan, D=Adobe

F3P8

2"x8" Nexus® Pocket Rail
(7/8" x 2" Pocket)
Pcs/Pallet: 55
AL - 70", 94"

F3P8 LIMITED AVAILABILITY.
RUN ONLY ONCE OR TWICE
YEARLY.



Proper G3RFH121 steel insert orientation shown for bottom rail. Reverse for top rail.

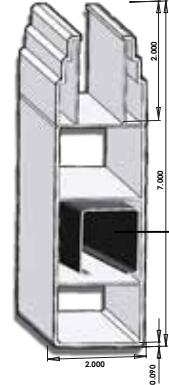
1-1/2" X 8" GORILLA® POCKET RAIL

W=White, T=Tan, D=Adobe

F3P1

1-1/2" x 8" Gorilla® Pocket Rail
(7/8" x 2" Pocket)
Pcs/Pallet: 72 (144 UT Only)
UT - 71-1/2", 76", 83", 94", 16'

F3P1 NJ, RUN ONLY ONCE OR
TWICE YEARLY.



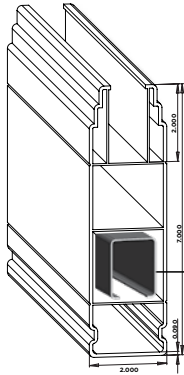
Proper G3RFH148 steel insert orientation shown for bottom rail. Reverse for top rail.

2" X 7" SUN POCKET RAIL

W=White, T=Tan, D=Adobe

FFS7

2" x 7" Sun Pocket Rail
(7/8" x 2" Pocket)
Pcs/Pallet: 66
NJ - 94", 12', 16'



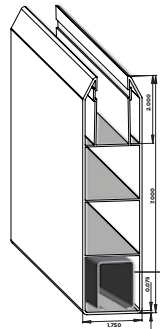
Proper G3RFH148 steel insert orientation shown for bottom rail. Reverse for top rail.

2" X 7" NEXUS® POCKET RAIL

W=White, T=Tan, D=Adobe,
F= Dark Gray (AL Only), L= Light Gray (AL Only)

F3P2

2" x 7" Nexus® Pocket Rail
(7/8" x 2" Pocket)
Pcs/Pallet: 66
AL - 70", 94", 16'
NJ - 70", 94", 16'



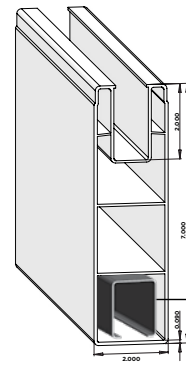
Proper G3RPM147 steel insert orientation shown for bottom rail. Reverse for top rail.

1-3/4" X 7" NEXUS® POCKET RAIL

W=White, T=Tan, D=Adobe
F= Dark Gray (AL Only), L= Light Gray (AL Only)

F3P7

1-3/4" x 7" Nexus® Pocket Rail
(7/8" x 2" Pocket)
Pcs/Pallet: 72
AL - 70", 94", 16'
FL - 70" (Stocked in FL)
UT - 94"



Proper G3RFH148 steel insert orientation shown for bottom rail. Reverse for top rail.

2" X 7" GORILLA® POCKET RAIL

W=White, T=Tan, D=Adobe

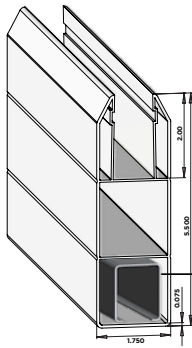
F3BF

2" x 7" Gorilla® Pocket Rail
(7/8" x 2" Pocket)
Pcs/Pallet: 66

NJ - MTO

F3BF LIMITED AVAILABILITY.
RUN ONLY ONCE OR TWICE
YEARLY.

PRIVACY FENCE POCKET RAIL



Proper G3RFM147 steel insert orientation shown for bottom rail. Reverse for top rail.

1-3/4" X 5-1/2" NEXUS® POCKET RAIL

W=White, T=Tan, D=Adobe,
F= Dark Gray (AL Only), L= Light Gray (AL Only)

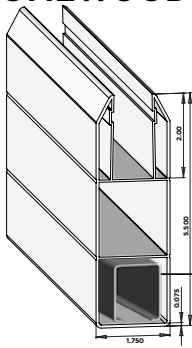
F3P5

1-3/4" x 5-1/2" Nexus® Pocket Rail
(7/8" x 2" Pocket)

Pcs/Pallet: 98
AL - 70", 94", 16'

Note: 16' Insert Required Separately

HOMEWOOD OPTION



Proper G3RFM147 steel insert orientation shown for bottom rail. Reverse for top rail.

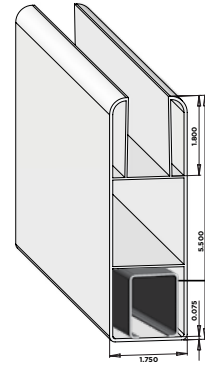
1-3/4" X 5-1/2" NEXUS® POCKET RAIL

HOMEWOOD OPTION F3P5 ONLY
O=Mocha Walnut, A=Aspen Latte,
I=Chai Gray,, U=Green Teak

F3P5

Pcs/Pallet: 98
AL - 94" (With Steel Inserted),
16' (Insert Required Separately)
UT - 94" (With Steel Inserted),
71-1/2" (With Steel Inserted)

Note: 16' Insert Required Separately



Proper G3RFM147 steel insert orientation shown for bottom rail. Reverse for top rail.

1-3/4" X 5-1/2" GORILLA® POCKET RAIL

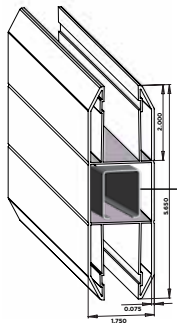
W=White, T=Tan, D=Adobe,
F= Dark Gray (AL Only), L= Light Gray (AL Only)

F37C

1-3/4" x 5-1/2" Gorilla® Pocket Rail
(7/8" x 1 3/4" Pocket)

Pcs/Pallet: 98

AL - 70", 94", 16'
NJ - 70", 94", 16'
FL - 70", 94"
UT - 94", 16'
TX - 94"



Proper G3RFM147 steel for Mid-Rail insert orientation shown. Open side of insert always faces the ground.

1-3/4" X 5-1/2" NEXUS® MID-RAIL

W=White, T=Tan, D=Adobe,
F= Dark Gray (AL Only), L= Light Gray (AL Only)

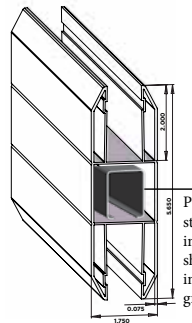
F3PM

1-3/4" x 5-1/2" Nexus® Mid-Rail
(7/8" x 2" Pocket)

Pcs/Pallet: 98
AL - 70", 94", 16'

Note: 16' Insert Required Separately

HOMEWOOD OPTION



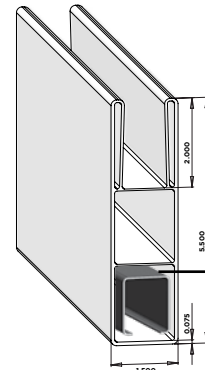
Proper G3RFM147 steel for Mid-Rail insert orientation shown. Open side of insert always faces the ground.

1-3/4" X 5-1/2" NEXUS® MID-RAIL

HOMEWOOD OPTION F3PM ONLY
O=Mocha Walnut, A=Aspen Latte,
I=Chai Gray,, U=Green Teak

F3PM

Pcs/Pallet: 98
AL - 94" (With Steel Inserted),
16' (Insert Required Separately)
UT - 94" (With Steel Inserted),
71-1/2" (With Steel Inserted),
Note: 16' Insert Required Separately



Proper G3RFH121 steel insert orientation shown for bottom rail. Reverse for top rail.

1-1/2" X 5-1/2" GORILLA® POCKET RAIL

W=White, T=Tan

F32G

1-1/2" x 5-1/2" Gorilla® Pocket Rail
(7/8" x 2" Pocket)

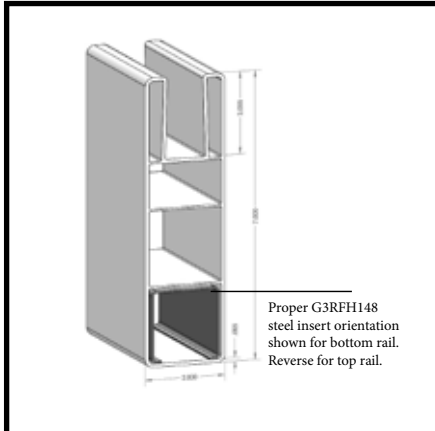
Pcs/Pallet: 114 (228 UT Only)

UT - 71-1/2", 76", 83", 94", 16'
TX - 70", 94", 16'

Note: 16' Insert Required Separately

PRIVACY FENCE

POCKET RAIL • PRIVACY PICKETS



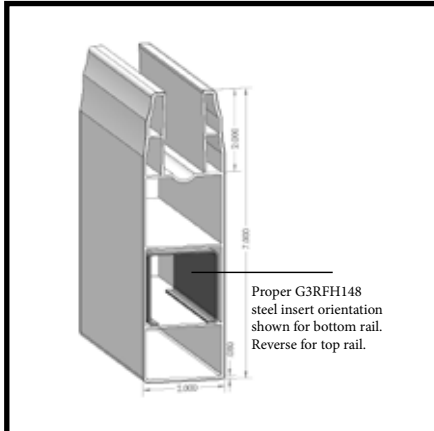
Proper G3RFH148 steel insert orientation shown for bottom rail. Reverse for top rail.

2" X 7" HOMETOWN POCKET RAIL

W=White, T=Tan

F3HT

2"x 7" Hometown Pocket Rail
(7/8" x 2" Pocket)
Pcs/Pallet: 64
NJ - 94", 16'



Proper G3RFH148 steel insert orientation shown for bottom rail. Reverse for top rail.

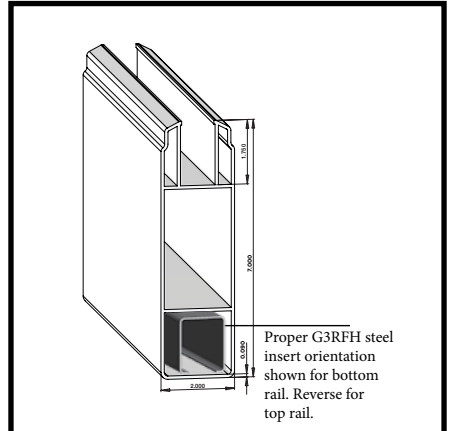
2" X 7" MAJESTIC POCKET RAIL

W=White, T=Tan

F3MJ

2"x 7" Majestic Pocket Rail
(7/8" x 2" Pocket)
Pcs/Pallet: 66

NJ - MTO



Proper G3RFH steel insert orientation shown for bottom rail. Reverse for top rail.

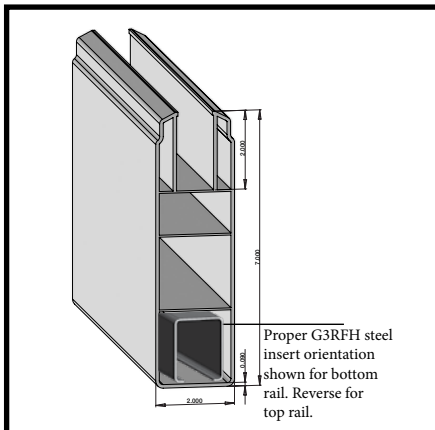
2" X 7" KEYSTONE WEST POCKET RAIL

W=White, T=Tan

FKW7

2"x 7" Keystone West Pocket Rail
(7/8" x 1 3/4" Pocket)
Pcs/Pallet: 66

UT - MTO



Proper G3RFH steel insert orientation shown for bottom rail. Reverse for top rail.

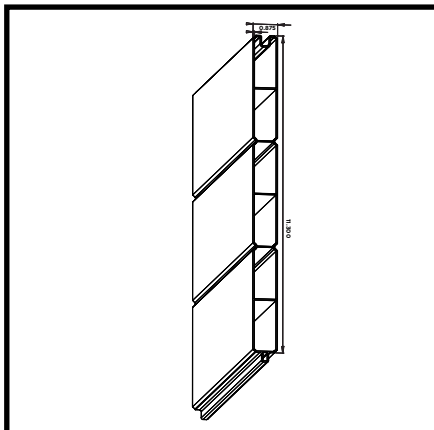
2" X 7" KEYSTONE EAST POCKET RAIL

W=White, T=Tan, D=Adobe

FKE7

2"x 7" Keystone East Pocket Rail
(7/8" x 2" Pocket)
Pcs/Pallet: 66

AL - MTO



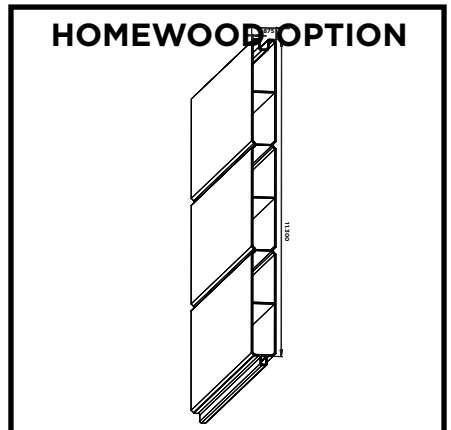
7/8" X 11.3" GORILLA® T&G

W=White, T=Tan, D=Adobe

F61S

7/8" x 11.3" Gorilla® T&G
Pcs/Pallet: 100

UT - 55-1/4", 60-1/4", 62-1/4", 64",
16' (100 Pcs/Pallet)



HOMEWOOD OPTION

7/8" X 11.3" GORILLA® T&G

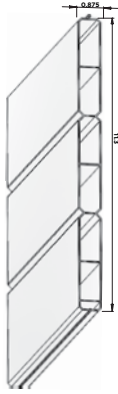
HOMEWOOD OPTION F61S ONLY
O=Mocha Walnut, I=Chai Gray

F61S

7/8" x 11.3" Gorilla® T&G
Pcs/Pallet: 100

UT - 55-1/4", 60-1/4",
16' (100 Pcs/Pallet)

PRIVACY FENCE PRIVACY PICKETS



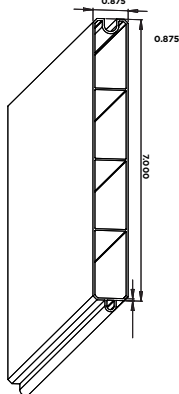
7/8" X 11.3" GORILLA® LOCKING PICKET

W=White, T=Tan, D=Adobe

F61L

7/8" x 11.3" Gorilla® Locking Picket
Pcs/Pallet: 100

UT - MTO



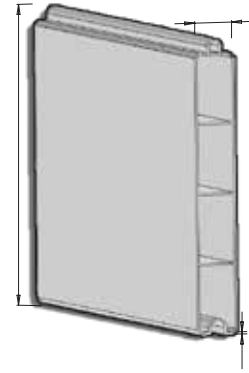
7/8" X 7" GORILLA® T&G

W=White, T=Tan, D=Adobe

F62S

7/8" x 7" Gorilla® T&G
Pcs/Pallet: 148 (16'),
Shorter Lengths, 292

NJ - MTO



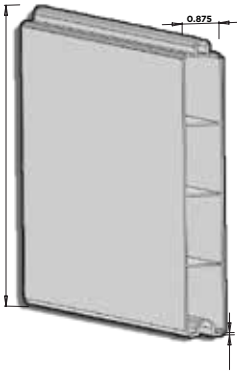
7/8" X 6" GORILLA® T&G

W=White, T=Tan, D=Adobe, G=Gray,
F= Dark Gray (AL Only), L= Light Gray (AL Only)

F54G

7/8" x 6" Gorilla® T&G
Pcs/Pallet: 178 (16'),
Shorter Lengths, 346
AL - 41-1/2", 48", 52", 59-1/2", 61", 62-1/4", 64",
66-1/2", 70", 16'
NJ - 48", 52", 57-1/2", 59-1/2", 61", 62-1/4",
64", 16'
UT - 47-1/4", 55-1/4", 59-1/4", 60-1/4",
62-1/4", 72", 16'
FL - 41-1/2", 48", 62-1/4", 16'
TX - 41-1/2", 55-1/4", 59-1/4", 60-1/4", 62-1/4",
16' (W & T only)

HOMWOOD OPTION

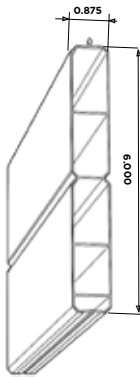


7/8" X 6" GORILLA® T&G

HOMWOOD OPTION F54C ONLY
O=Mocha Walnut, A=Aspen Latte (AL Only),
I=Chai Gray, U=Green Teak

F54C

7/8" x 6" Homewood® T&G
Pcs/Pallet: 178 (16')
AL - 30-1/2", 62-1/4", 64, 66-1/2", 70", 16'
UT - 30-1/2", 60-1/4", 62-1/4", 64", 66-1/2",
70", 16'



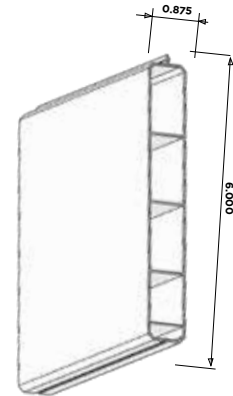
7/8" X 6" GORILLA® DECORATIVE LOCKING PICKET

W=White, T=Tan, D=Adobe

F54D

7/8" x 6" Gorilla® Decorative Locking Picket

Pcs/Pallet: 178 (16'),
Shorter Lengths, 346
AL - MTO



7/8" X 6" GORILLA® LOCKING PICKET

W=White, T=Tan, D=Adobe,
F= Dark Gray (AL Only), L= Light Gray (AL Only)

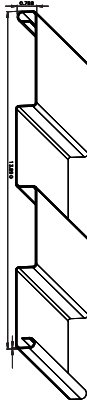
F54L

7/8" x 6" Gorilla® Locking Picket

Pcs/Pallet: 178 (16'),
Shorter Lengths, 346
AL - 59-1/2, 62-1/4", 16'
NJ - 48", 59-1/2", 62-1/4", 16'
FL - 59-1/2" STOCKED IN W & T ONLY

F54L LIMITED AVAILABILITY.
RUN ONLY ONCE OR TWICE
YEARLY.

PRIVACY FENCE PRIVACY PICKETS, RAILS



7/8" X 14" GORILLA® PRIVACY NO EMOSS PANEL

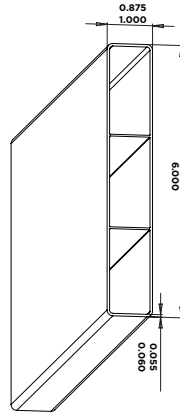
W=White, T=Tan, D=Adobe, S = Sand

F55B

7/8" x 14" Gorilla® Privacy No Emboss Panel
Pcs/Pallet: 96Pcs @ 12'6"
180 Pcs Cut length

AL - 29", 64", 12'6"

**F55B LIMITED AVAILABILITY.
RUN ONLY ONCE OR TWICE
YEARLY.**



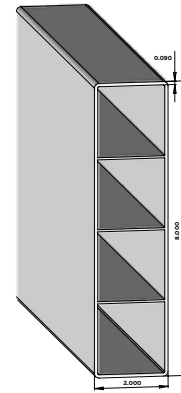
7/8" X 6" RIBBED STANDARD

W=White, T=Tan, D=Adobe,
F= Dark Gray (AL Only), L= Light Gray (AL Only)

F56R

7/8"x6" Ribbed Standard
Pcs/Pallet: 346

AL - 69-1/2" 12', 16'
NJ - 16' (Stocked In NJ)
UT - 16'
FL - 69-1/2", 16' (Stocked in FL)



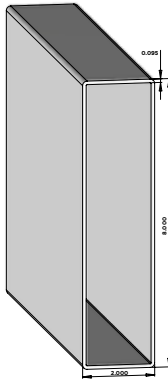
2" X 8" RIBBED RAIL

W=White, T=Tan, D=Adobe,
F= Dark Gray (AL Only), L= Light Gray (AL Only)

F20R

2"x8" Ribbed Rail
Pcs/Pallet: 66
AL - 16', 24'

**F20R LIMITED AVAILABILITY.
RUN ONLY ONCE OR TWICE
YEARLY.**

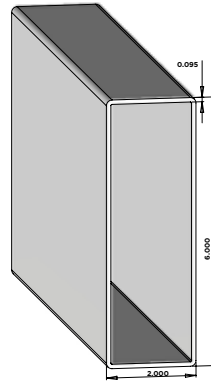


2" X 8" HOLLOW RAIL

W=White, T=Tan, D=Adobe,
F= Dark Gray (AL Only), L= Light Gray (AL Only)

F20S

2" X 8" Hollow Rail
Pcs/Pallet: 66
AL - 16', 24'

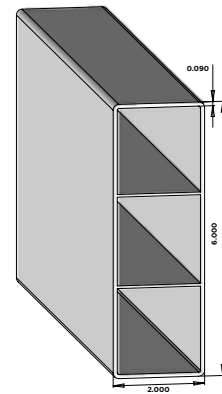


2" X 6" HOLLOW RAIL

W=White, T=Tan, D=Adobe,
F= Dark Gray (AL Only), L= Light Gray (AL Only)

F22E

2"x6" Hollow Rail
Pcs/Pallet: 88
AL - 16', 24'
UT - 12', 16'



2" X 6" RIBBED RAIL

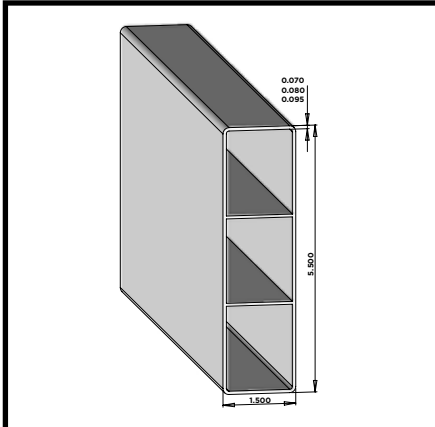
W=White, T=Tan, D=Adobe,
F= Dark Gray (AL Only), L= Light Gray (AL Only)

F22C

(0.090 wall)
2"x6" Ribbed Rail
Pcs/Pallet: 88
AL - 94", 12', 16'
NJ - 8', 94", 16' (Stocked In NJ - White & Tan)
UT - 12', 16'
FL - 16' (Stocked in FL - White & Tan)

PRIVACY FENCE

RAILS • U-CHANNEL • TRIM CHANNEL

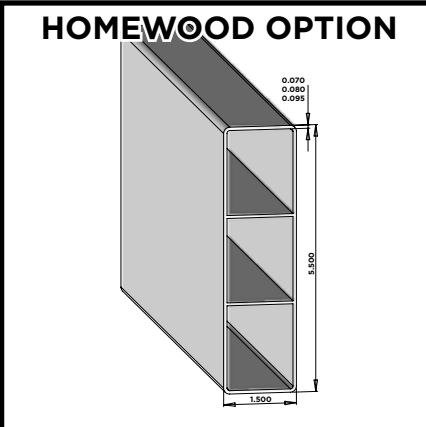


1-1/2" X 5-1/2" RIBBED RAIL (UTILITY & UTILITY VALUE)

W=White, T=Tan, D=Adobe

F27E (0.080 Wall)
 1-1/2" x 5-1/2" Ribbed Utility Rail
 Pcs/Pallet: 114
 AL - 94", 16' (F= Dark Gray , L= Light Gray)
 UT - 16'
 TX - 94", 16'

F27M (0.070 Wall)
 1-1/2" x 5-1/2" Utility Value Rail (Color Inside)
 Pcs/Pallet: 114
 AL - 16'
 UT - 16'
 FL - 16' (Stocked in FL)
 TX - 16'

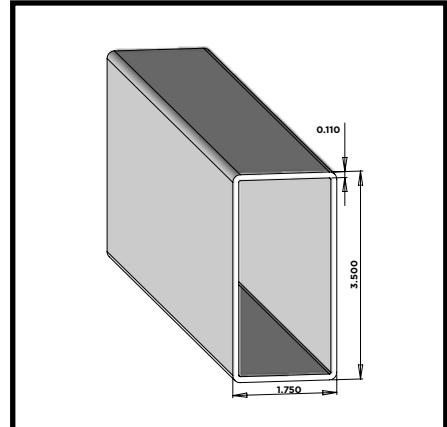


HOMEWOOD OPTION

1-1/2" X 5-1/2" RIBBED RAIL

HOMEWOOD OPTION F27C ONLY
 O=Mocha Walnut, A=Aspen Latte,
 I=Chai Gray, U=Green Teak

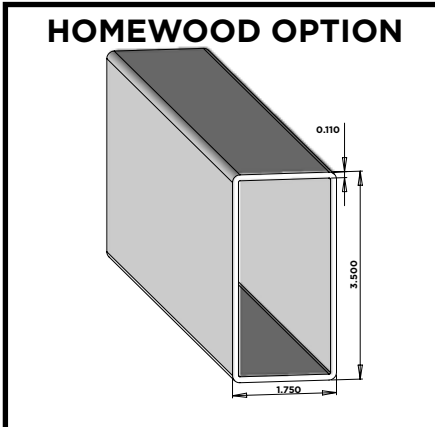
F27C (0.095 Wall)
 1-1/2" x 5-1/2" Ribbed Rail
 Pcs/Pallet: 114
 AL - 16'
 UT - 16'
 Steel insert required in each rail



1-3/4" X 3-1/2" HOLLOW STANDARD

W=White, T=Tan, D=Adobe, F= Dark Gray (AL Only)

F25B (0.110 wall)
 1-3/4" x 3-1/2" Hollow Standard Rail
 Pcs/Pallet: 156
 AL - 12', 16'
 NJ - 12' (STOCKED White & Tan)
 UT - 12', 16' (STOCKED White & Tan)
 FL - 12' (Stocked in FL)

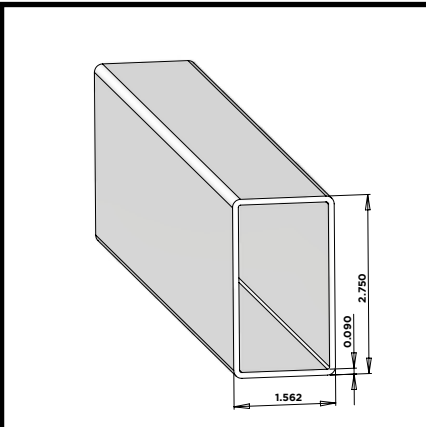


HOMEWOOD OPTION

1-3/4" X 3-1/2" HOLLOW STANDARD

HOMEWOOD OPTION F25B ONLY
 O=Mocha Walnut, I=Chai Gray, U=Green Teak

F25B (0.110 wall)
 1-3/4" x 3-1/2" Hollow Standard Rail
 Pcs/Pallet: 156
 AL - 16'

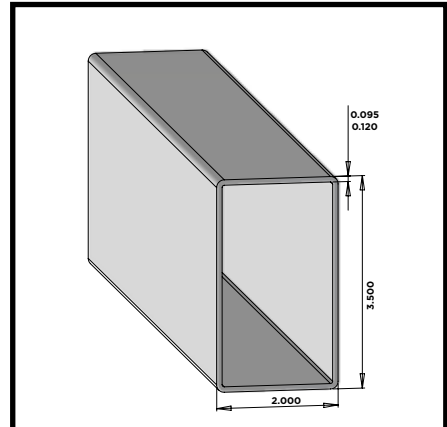


1-1/2" X 2-3/4" STANDARD RAIL

W=White, T=Tan, D=Adobe

F23S (0.090 wall)
 1-1/2"x2-3/4" Standard Rail
 Pcs/Pallet: 224
 AL - MTO

F23S LIMITED AVAILABILITY.
 RUN ONLY ONCE OR TWICE
 YEARLY.



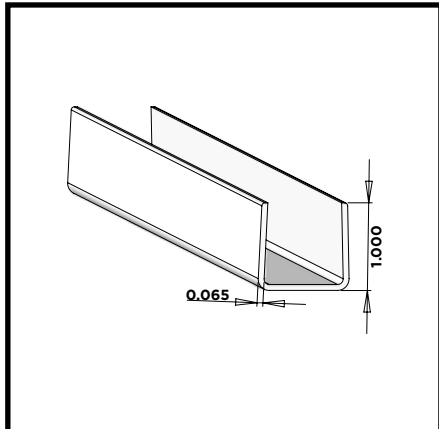
2" X 3-1/2" HOLLOW UTILITY RAIL

F= Dark Gray (AL Only), L= Light Gray (AL Only)

F24E (0.095 Wall)
 2"x3-1/2" Hollow Utility Rail
 Pcs/Pallet: 143
 AL - 94", 16', 24'

See page 18 for Railing and Fencing lengths and colors

PRIVACY FENCE TRIM CHANNEL • GATE BRACE

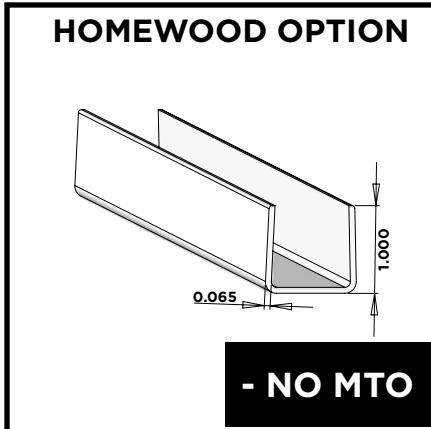


7/8" U-CHANNEL STANDARD

W=White, T=Tan, D=Adobe,
F= Dark Gray (AL Only), L= Light Gray (AL Only)

F83S

7/8" U-Channel Standard
Pcs/Box: 64 (10' 2")
(Shorter lengths
1280 Pcs/Pallet)
AL - 10'2", 60-7/8"
NJ - 10'2" (Stocked In NJ)
UT - 10'2" (Stocked In UT)
TX - 10'2" (Stocked in TX, W & T only)



HOMEWOOD OPTION

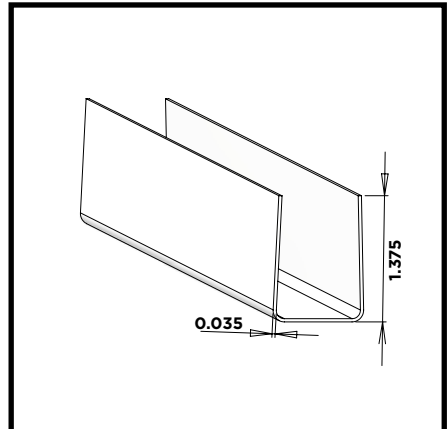
7/8" U-CHANNEL STANDARD

HOMEWOOD OPTION F83S ONLY
O=Mocha Walnut, A=Aspen Latte,
I=Chai Gray,, U=Green Teak

F83S

Pcs/Pallet: 64
AL - 10'2"
UT - 10'2"- (Stocked In UT)

- NO MTO



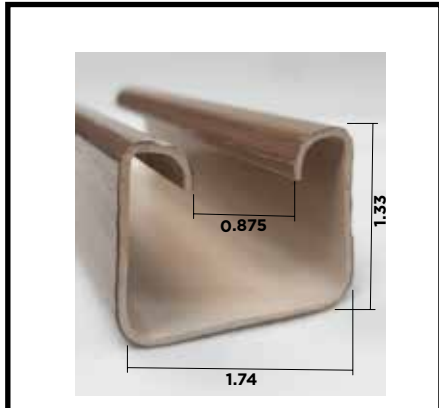
7/8" TRIM CHANNEL

W=White, T=Tan, D=Adobe

F83U

7/8" Trim Channel
Pcs/Box: 60 (10' 2")
(Shorter lengths 840 Pcs/Pallet)

AL - 10'2", 52", 56", 57", 58", 58-3/4", 59", 59-1/4",
60-7/8"
NJ - 58", 58-3/4", 60-7/8", 10'2" (Stocked In NJ)
TN - 10'2", 52", 56", 57", 58", 58-3/4", 59", 59-1/4",
60-7/8"
UT - 10'2", 52", 56", 57", 58-3/4", 59", 59-1/4"
60-7/8" (Stocked In UT)
FL - 58-3/4", 59", 59-1/4" (Stocked in FL)
TX - 59" (Stocked in TX, W & T only)



GORILLA® PICKET CHANNEL

W=White, T=Tan, D=Adobe,
F= Dark Gray (AL Only), L= Light Gray (AL Only)

FTG4

Gorilla Picket Channel
Pcs/Box: 40 Box
AL - 72"



HOMEWOOD OPTION

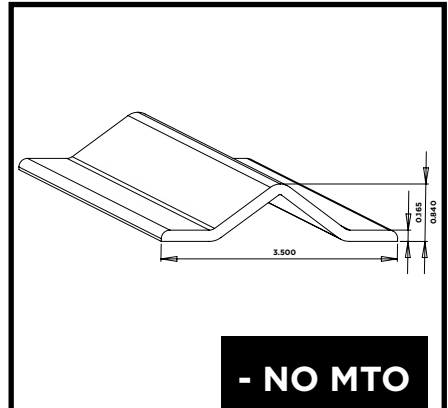
GORILLA® PICKET CHANNEL

HOMEWOOD OPTION FTG4 H
O=Mocha Walnut, A=Aspen Latte,
I=Chai Gray, U=Green Teak

FTG4

Pcs/Pallet: 40 Box
AL - 72"
UT - 72"- (Stocked In UT)

- NO MTO



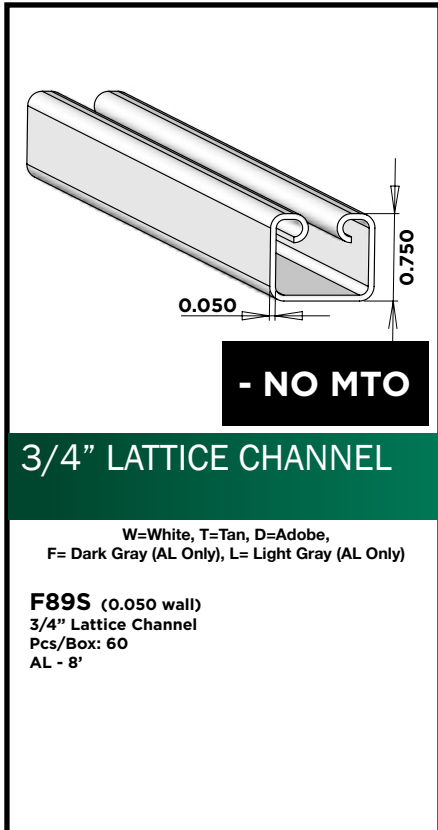
GATE SUPPORT BRACE

W=White, T=Tan, D=Adobe,
F= Dark Gray (AL Only), L= Light Gray (AL Only)

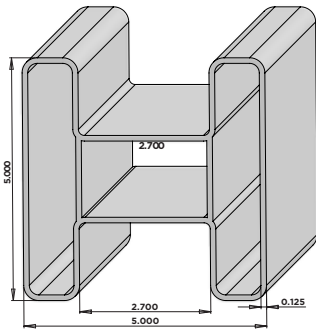
F86S (0.165 wall)

Gate Support Brace
Bundled: 240 pcs
Boxed: 24 pcs
AL - 8' (Bundled), 12' (Box)
FL - 8' (Bundled/Box) (Stocked in FL)
TN - 8' (Bundled)
UT - 8' (Bundled) (Stocked in UT)
TX - 8' (Bundled/) (Stocked in TX, W & T only)

PRIVACY FENCE LATTICE CHANNEL



FENCE TUF-FENCE®

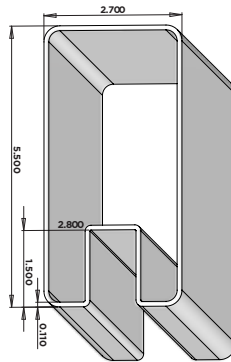


TUF-FENCE® H-POST

D=Adobe Only

FT01
Tuf-Fence®
H-Post
AL - 9'

FT01 LIMITED AVAILABILITY.
RUN ONLY ONCE OR TWICE
YEARLY.

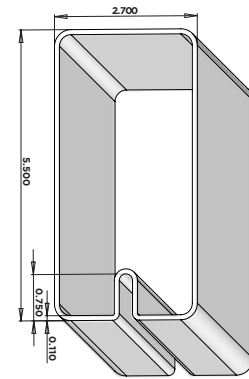


TUF-FENCE® POCKET RAIL

D=Adobe Only

FT12
Tuf-Fence®
Pocket Rail
AL - 96.25"

FT12 LIMITED AVAILABILITY.
RUN ONLY ONCE OR TWICE
YEARLY.

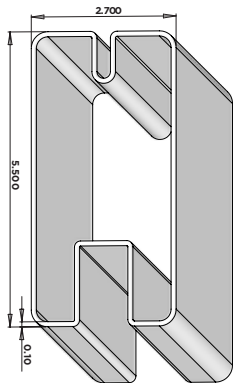


**TUF-FENCE® LATTICE
TOP RAIL**

D=Adobe Only

FT13
Tuf-Fence®
Lattice Top Rail
AL - 96.25"

FT13 LIMITED AVAILABILITY.
RUN ONLY ONCE OR TWICE
YEARLY.

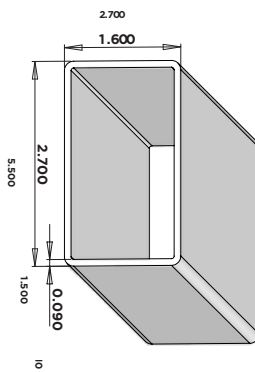


TUF-FENCE® MID-RAIL

D=Adobe Only

FT11
Tuf-Fence®
Mid-Rail
AL - 96.25"

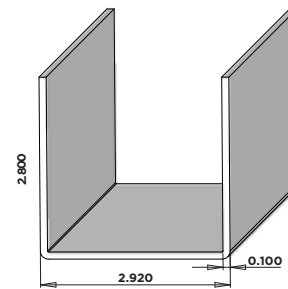
FT11 LIMITED AVAILABILITY.
RUN ONLY ONCE OR TWICE
YEARLY.



**TUF-FENCE® H-POST
INSERT**

D=Adobe Only

FT02
Tuf-Fence®
Insert for H-Post
AL - 8'



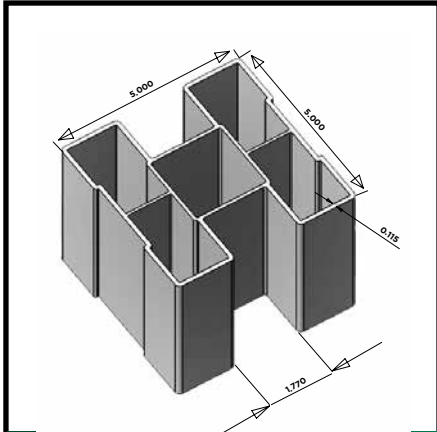
**TUF-FENCE® U-CHANNEL
(LONG LEG)**

D=Adobe Only

FT03
Tuf-Fence®
U-Channel (Long Leg)
AL - 8'

Availability and profile dimensions are subject to change without notice. Check with manufacturer before ordering.
All dimensions are subject to manufacturer's tolerances.

FENCE GORILLA® FENCE

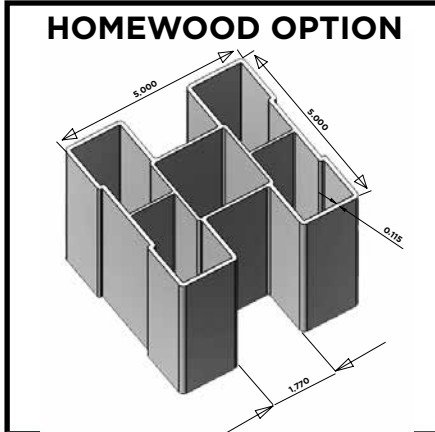


5" X 5" GORILLA® H-POST

W=White, D=Adobe,
F= Dark Gray (AL Only), L= Light Gray (AL Only)

FTG1 (0.115 wall)
5" x 5" Gorilla®
H-Post
AL - 9'

FTG1 LIMITED AVAILABILITY.
RUN ONLY ONCE OR TWICE
YEARLY.

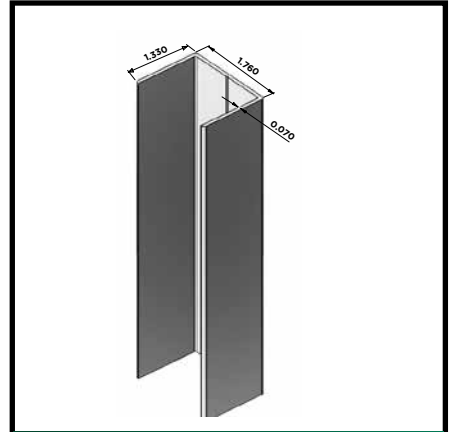


HOMEWOOD OPTION

5" X 5" GORILLA® H-POST

HOMEWOOD OPTION FTG1
O=Mocha Walnut, A=Aspen Latte,
I=Chai Gray, U=Green Teak

FTG1
AL - 9'

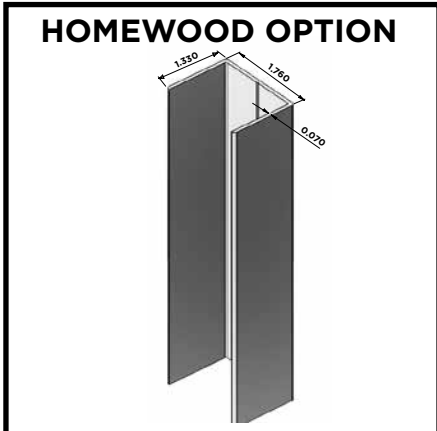


1-1/2 GORILLA® POST INSERT

W=White, D=Adobe,
F= Dark Gray (AL Only), L= Light Gray (AL Only)

FTG2 (0.070 wall)
1-1/2 Gorilla®
Post Insert
AL - 8'

FTG2 LIMITED AVAILABILITY.
RUN ONLY ONCE OR TWICE
YEARLY.

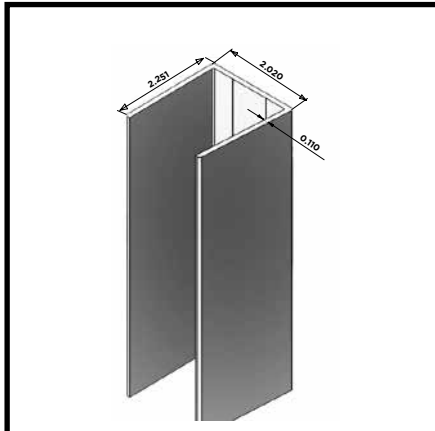


HOMEWOOD OPTION

1-1/2 GORILLA® POST INSERT

HOMEWOOD OPTION FTG2
O=Mocha Walnut, A=Aspen Latte,
I=Chai Gray, U=Green Teak

FTG2
AL - 8'

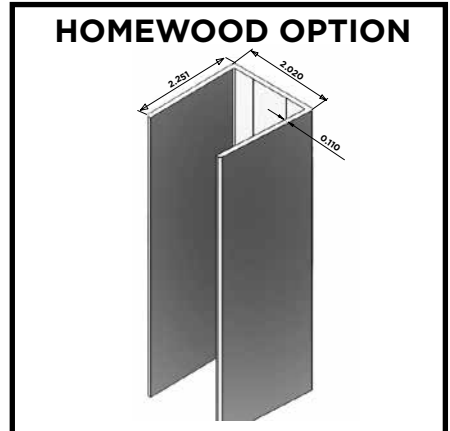


1-3/4 GORILLA® FENCE U-CHANNEL

W=White, D=Adobe,
F= Dark Gray (AL Only), L= Light Gray (AL Only)

FTG3 (0.110 wall)
1-3/4 Gorilla®
Fence U-Channel
AL - 8'

FTG3 LIMITED AVAILABILITY.
RUN ONLY ONCE OR TWICE
YEARLY.



HOMEWOOD OPTION

1-3/4 GORILLA® FENCE U-CHANNEL

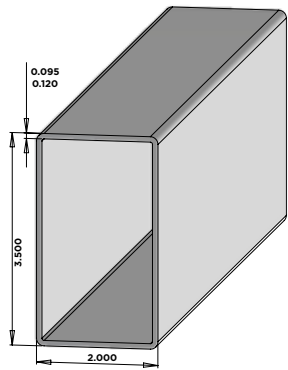
HOMEWOOD OPTION FTG3
O=Mocha Walnut, A=Aspen Latte,
I=Chai Gray, U=Green Teak

FTG3
AL - 8'

Availability and profile dimensions are subject to change without notice. Check with manufacturer before ordering.
All dimensions are subject to manufacturer's tolerances.

GORILLA™ GUARD RAIL

SUMMIT® 2x3-1/2, T- RAIL, CONTOUR



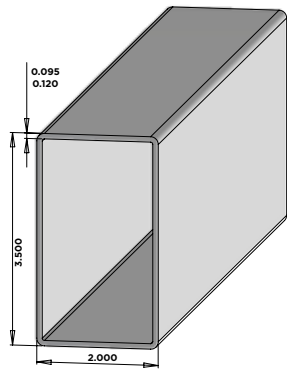
2" X 3-1/2" HOLLOW UTILITY RAIL

W=White, T=Tan, D=Adobe

F24C (0.120 Wall)
2"x3-1/2" Hollow Standard Rail
Pcs/Pallet: 143
AL - 6', 8', 16', 24'
UT - 6', 94", 12', 16'
TN - 6', 8', 94", 16', 24'

F24E (0.095 Wall)
2"x3-1/2" Hollow Utility Rail
Pcs/Pallet: 143
AL - 6', 94", 8', 10', 16', 24'
UT - 94", 12', 16'
FL - 6', 8' (Stocked in FL)
TN - 6', 94", 8', 10', 16', 24'
TX - 6', 8', 16'
(Stocked in TX, W & T only)

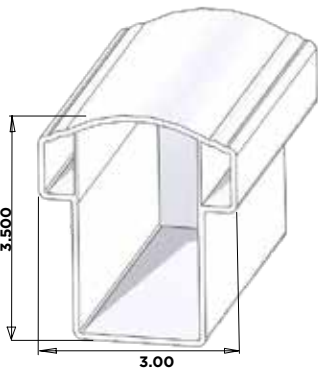
HOMEWOOD OPTION



2" X 3-1/2" HOLLOW UTILITY RAIL

HOMEWOOD OPTION F24E ONLY
O=Mocha Walnut, A=Aspen Latte,
I=Chai Gray,, U=Green Teak

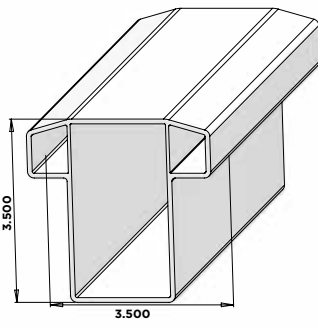
F24E (0.095 Wall)
2"x3-1/2" Hollow Utility Rail
Pcs/Pallet: 143
AL - 72", 96", 16'
UT - 12', 16'



3" CONTOUR RAIL

W=White, T=Tan, D=Adobe

F36S (0.095 wall)



3-1/2" GORILLA® T-RAIL

W=White, T=Tan, D=Adobe

F35C (0.090 wall)
3-1/2" Gorilla® T-Rail
Pcs/Pallet: 90
AL - 6', 8', 10', 16'
TN - 6', 8', 10', 16'

HOMEWOOD OPTION



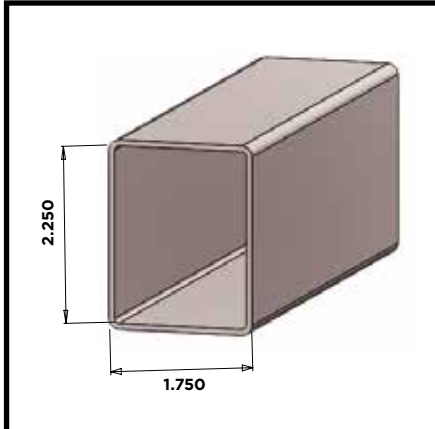
3-1/2" GORILLA® T-RAIL

HOMEWOOD OPTION F35C ONLY
O=Mocha Walnut

F35C - (0.095 wall)
3-1/2" Gorilla® T-Rail
Pcs/Pallet: 90
AL - 16'

GORILLA™ GUARD RAIL

NEXUS® 1-3/4 x 2-1/4 • 4-1/2 GORILLA® RAIL • PALISADE RAIL

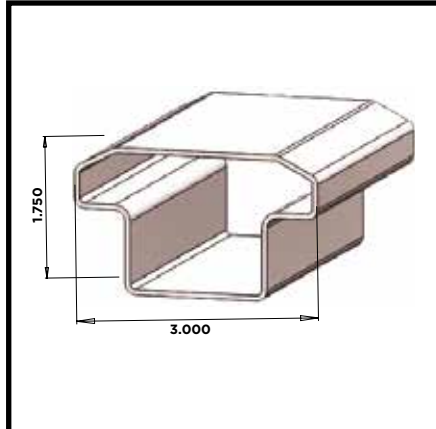


1-3/4" X 2-1/4" NEXUS®

W=White, T=Tan, D=Adobe

F3PB (0.065 wall)
1-3/4" x 2-1/4" Nexus' Rail

Pcs/Pallet: 216
TN - 71-3/8", 95-3/8", 119-3/8"

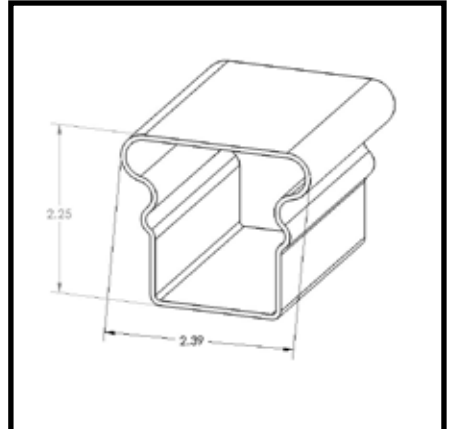


1-3/4" NEXUS® 1 T-RAIL

W=White, T=Tan, D=Adobe

F34C (0.065 wall)
1-3/4" Nexus' 1 T-Rail

Pcs/Pallet: 216
TN - 71-3/8", 95-3/8", 119-3/8"

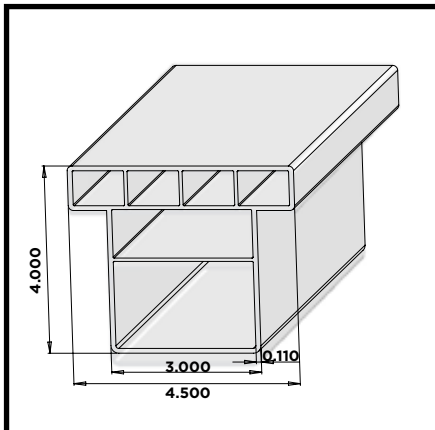


1-3/4" NEXUS® 2 T-RAIL

W=White, T=Tan, D=Adobe

F3N2 (0.065 wall)
1-3/4" Nexus' 2 T-Rail

Pcs/Pallet: 216
TN - 71-3/8", 95-3/8", 119-3/8"

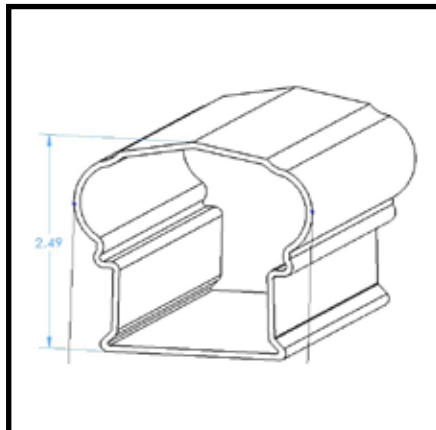


4-1/2" GORILLA® RAIL

W=White, T=Tan, D=Adobe

FTB (0.110 wall)
4-1/2" Gorilla' Rail
Pcs/Pallet: 66
AL - 24'

FTB LIMITED AVAILABILITY.
RUN ONLY ONCE OR TWICE
YEARLY.

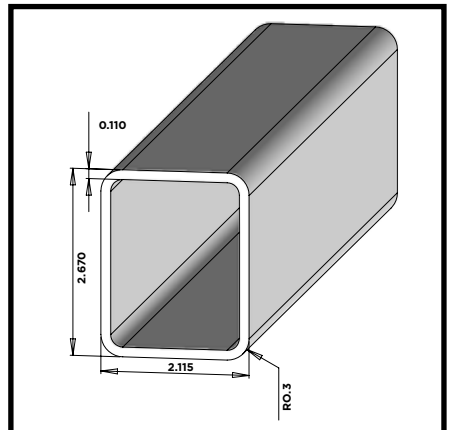


PALISADE RAIL

W=White, T=Tan, D=Adobe

FHP1 (0.070 wall)
Palisade Rail
Pcs/Pallet: 136
AL - 6', 8', 10' MTO

FHP1 LIMITED AVAILABILITY.
RUN ONLY ONCE OR TWICE
YEARLY.



2-1/8" X 2-3/4" STANDARD RAIL

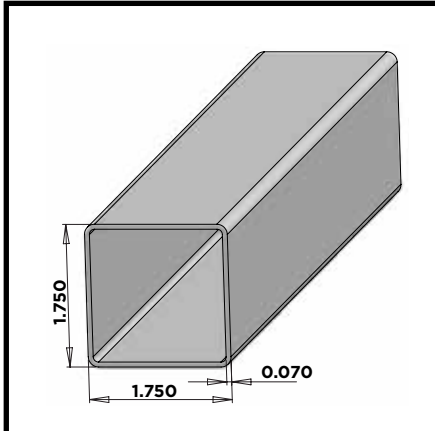
W=White, T=Tan, D=Adobe

F26S (0.110 wall)
2-1/8" x 2-3/4" Standard Rail
Pcs/Pallet: 170
AL - 12', 16'

See ESR-1657 report for detailed applications. Check local building codes in your area.

Availability and profile dimensions are subject to change without notice. Check with manufacturer before ordering.
All dimensions are subject to manufacturer's tolerances.

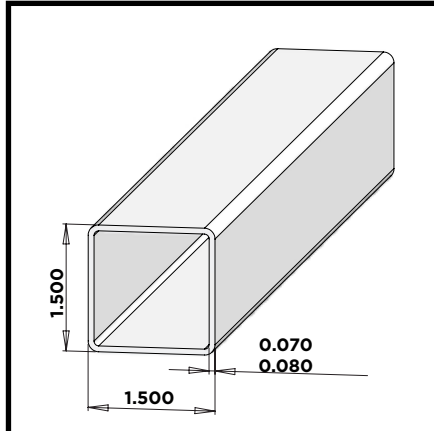
FENCE/GUARD RAIL SMALL PICKETS



**1-3/4" X 1-3/4"
STANDARD PICKETS**

W=White, T=Tan, D=Adobe

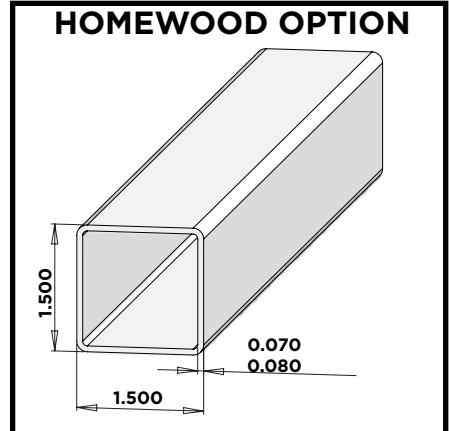
F41S (0.070 Wall)
1-3/4" x 1-3/4" Standard Pickets
Pcs/Pallet: 312
AL - 16'
UT - 16' (STOCKED IN UT)



**1-1/2" X 1-1/2"
STANDARD PICKETS**

W=White, T=Tan, D=Adobe, G=Gray,
F= Dark Gray (AL Only), L= Light Gray (AL Only)

F42S (0.070 Wall)
1-1/2" x 1-1/2" Standard Pickets
Pcs/Pallet: 450 pcs. (Other Sizes 900)
AL - 30-1/2", 31", 32", 38",
10', 12', 16' (Stocked in AL)
TN - 30-1/2", 31", 32", 38", 43-1/8",
10', 12', 16'
UT - 16' (Stocked In UT)
FL - 16' (Stocked in FL)
TX - 16' (Stocked in TX, W & T only)

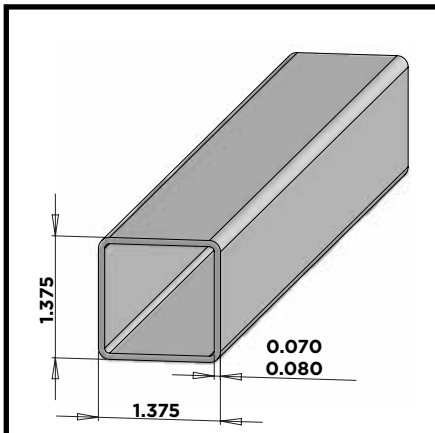


HOMEWOOD OPTION

**1-1/2" X 1-1/2"
STANDARD PICKETS**

HOMEWOOD OPTION F42S ONLY
O=Mocha Walnut, A=Aspen Latte,
I=Chai Gray, U=Green Teak

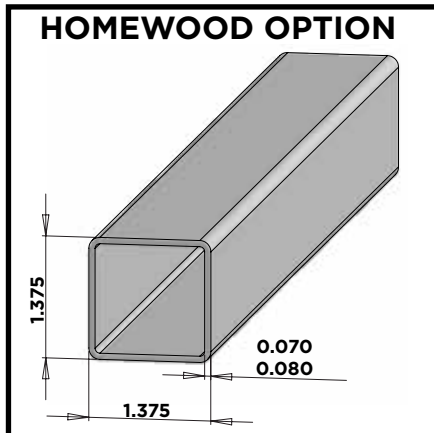
F42S (0.070 Wall)
1-1/2" x 1-1/2" Standard Pickets
Pcs/Pallet: 450 pcs.
AL - 16'



**1-3/8" X 1-3/8"
STANDARD PICKETS**

W=White, T=Tan, D=Adobe

F43C (0.070 Wall)
1-3/8" x 1-3/8" Standard Pickets
Pcs/Pallet: 330 pcs. (Other Sizes 600)
AL - 31-3/4", 32", 32-1/2", 38",
38-1/2", 16' (Stocked In AL)
TN - 31-3/4", 32", 32-1/2", 38",
38-1/2", 16'
UT - 16' (Stocked In UT)

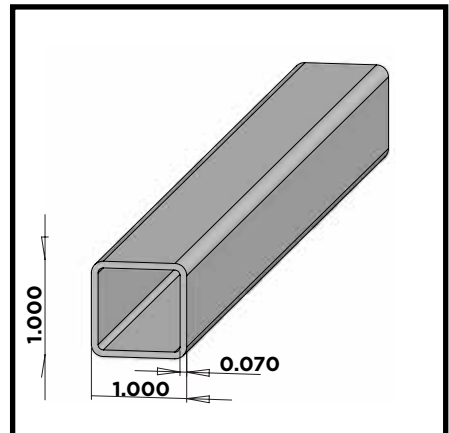


HOMEWOOD OPTION

**1-3/8" X 1-3/8"
STANDARD PICKETS**

HOMEWOOD OPTION F43C ONLY
O=Mocha Walnut, A=Aspen Latte,
I=Chai Gray, U=Green Teak

F43C (0.070 Wall)
1-3/8" x 1-3/8" Standard Pickets
Pcs/Pallet: 600 (16', 330 pcs.)
AL - 16'

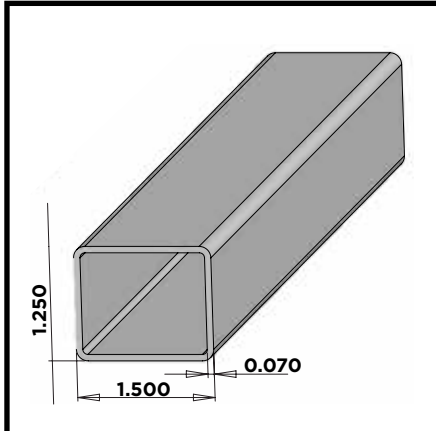


**1" X 1" STANDARD
PICKETS**

W=White, T=Tan, D=Adobe

F45S (0.070 Wall)
1" x 1" Standard Pickets
Pcs/Pallet: 450
AL - 16'
UT - 16' (Stocked in UT, White and Tan)

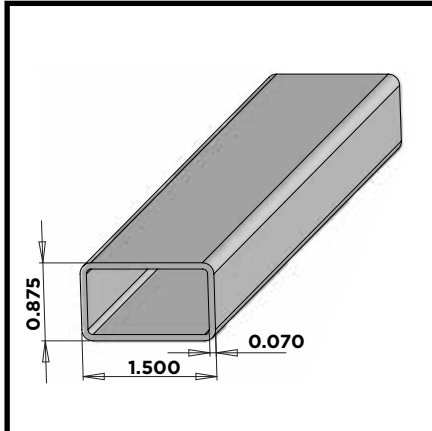
FENCE/GUARD RAIL SMALL PICKETS



**1-1/4" X 1-1/2"
STANDARD PICKETS**

W=White, T=Tan, D=Adobe

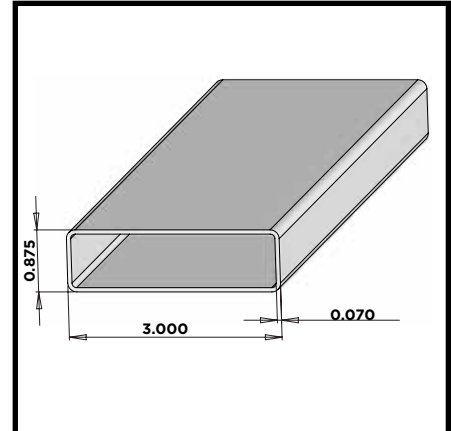
F47S (0.070 Wall)
1-1/4" x 1-1/2" Standard Pickets
Pcs/Pallet: 510
AL - MTO



**7/8" X 1-1/2"
STANDARD PICKETS**

W=White, T=Tan, D=Adobe

F65S (0.070 Wall)
7/8" x 1-1/2" Standard Pickets
Pcs/Pallet: 942 (16', 402 pcs.)
AL - 31-3/4", 32", 16' (STOCKED IN AL)
NJ - 16' (Stocked in NJ)
UT - 31-3/4", 33", 16' (Stocked in UT)
FL - 16' Stocked in FL)
TN - 32", 16'

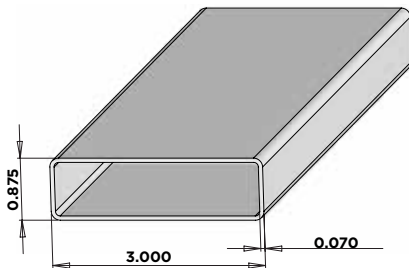


**7/8" X 3" STANDARD
PICKETS**

W=White, T=Tan, D=Adobe,
F= Dark Gray (AL Only), L= Light Gray (AL Only)

F57C (0.070 Wall)
7/8" X 3" Standard Pickets
Pcs/Pallet: 355
AL - 44", 45-7/8", 12', 16' (Stocked in AL) UT - 16'
TN - 44", 45-7/8", 12', 16'
TX - 16' (Stocked in TX, W & T only)
FL - 45-7/8", 16' (Stocked in FL)

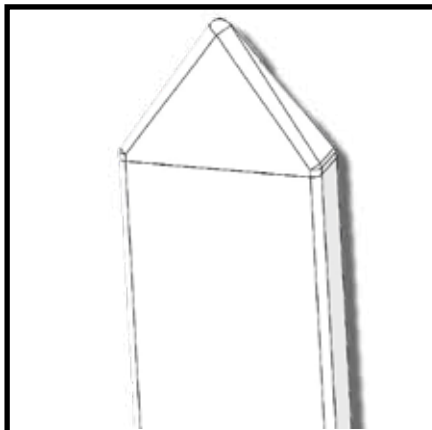
HOMEWOOD OPTION



**7/8" X 3" STANDARD
PICKETS**

HOMEWOOD OPTION F57H ONLY
O=Mocha Walnut, A=Aspen Latte,
I=Chai Gray, U=Green Teak

F57H (0.080 Wall)
7/8" x 3" Gorilla® Pickets
Pcs/Pallet: 355
AL - 8', 16'

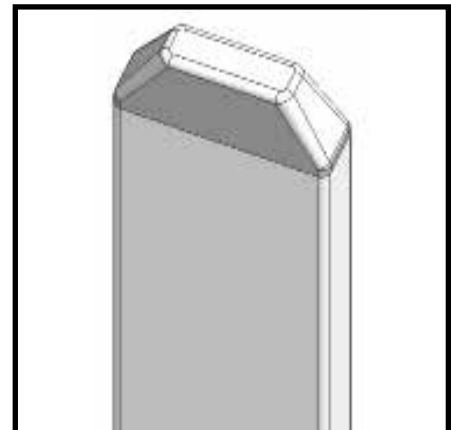


7/8" X 3" SPADE PICKET

W=White, T=Tan, D=Adobe

F57C-SPC
7/8" X 3" Standard Picket
welded to spade cap

Pcs/Pallet: 355
TN - 44" (Extrusion) + Welded Spade Cap
45-7/8" (Extrusion) + Welded Spade Cap
56" (Extrusion) + Welded Spade Cap
68" (Extrusion) + Welded Spade Cap
FL - 45-7/8" (Extrusion) + Welded Spade Cap
(Stocked in FL, White only)



**7/8" X 3" DOG EAR
PICKET**

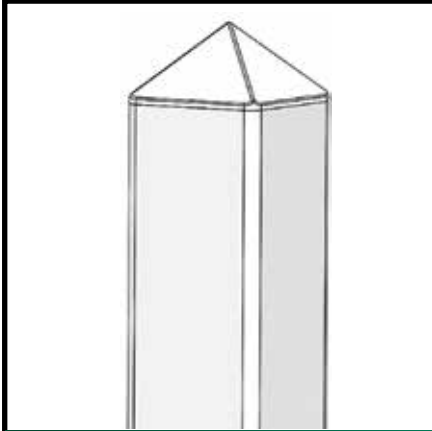
W=White, T=Tan, D=Adobe

F57C-DEC
7/8" X 3" Standard Picket
welded to dog ear cap

Pcs/Pallet: 355
TN - 44" (Extrusion) + Welded Dog Ear Cap
45-7/8" (Extrusion) + Welded Dog Ear Cap
56" (Extrusion) + Welded Dog Ear Cap
68" (Extrusion) + Welded Dog Ear Cap
FL - 45-7/8" (Extrusion) + Welded Spade Cap
(Stocked in FL, White only)

Availability and profile dimensions are subject to change without notice. Check with manufacturer before ordering.
All dimensions are subject to manufacturer's tolerances.

FENCE/GUARD RAIL SMALL PICKETS



**1-1/2" X 1-1/2"
SHARP PICKET**

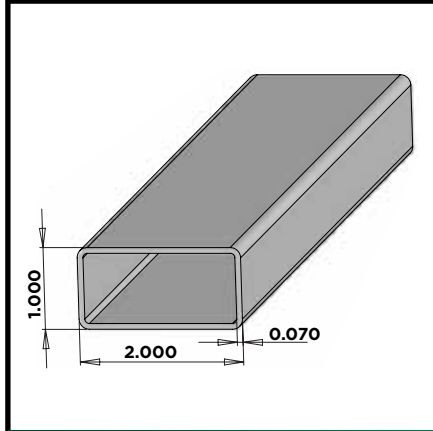
W=White, T=Tan, D=Adobe

F42S-SPD

1-1/2" X 1-1/2" Standard Picket
welded to Sharp Cap

Pcs/Pallet: 900

TN - 44" (Extrusion) + Welded Sharp Cap
45-7/8" (Extrusion) + Welded Sharp Cap
56" (Extrusion) + Welded Sharp Cap
68" (Extrusion) + Welded Sharp Cap

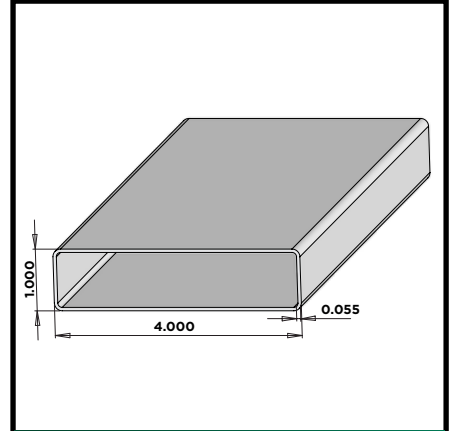


**1" X 2" STANDARD
PICKETS**

W=White, T=Tan, D=Adobe

F48S (0.070 Wall)
1" x 2" Standard Pickets
Pcs/Pallet: 270
AL - 16'

**F48S LIMITED AVAILABILITY.
RUN ONLY ONCE OR TWICE
YEARLY.**



1" X 4" UTILITY PICKETS

W=White, T=Tan, D=Adobe

F49U (0.055 Wall)
1" x 4" Utility Pickets
Pcs/Pallet: 253

AL - MTO

Availability and profile dimensions are subject to change without notice. Check with manufacturer before ordering.
All dimensions are subject to manufacturer's tolerances.

GORILLA® WRAP

8 Piece Gorilla Post Wraps • 4 Piece Gorilla Post Wrap



1-3/4" x 10' GORILLA® POST WRAP CORNER TRIM

W=White, T=Tan, D=Adobe

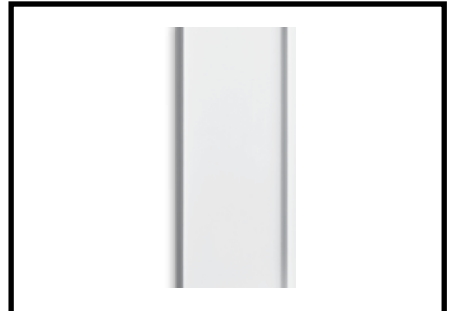
FMWC
Gorilla® Wrap Corner
AL - 10'



4" x 10' GORILLA® POST WRAP COVERAGE SLAT

W=White, T=Tan, D=Adobe

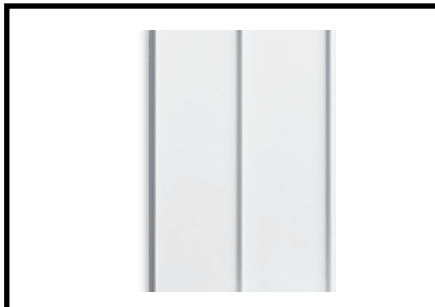
FMW4
4" Gorilla® Wrap Insert
Covers sides of 3 1/4" to 4 1/4"
AL - 10'



6" x 10' GORILLA® POST WRAP COVERAGE SLAT

W=White, T=Tan, D=Adobe

FMW6
6" Gorilla® Wrap Insert
Covers sides of 5 1/4" to 6 1/4"
AL - 10'



8" x 10' GORILLA® POST WRAP COVERAGE SLAT

W=White, T=Tan, D=Adobe

FMW8
8" Gorilla® Wrap Insert
Covers sides of 7 1/4" to 8 1/4"
AL - 10'



10" x 10' GORILLA® POST WRAP COVERAGE SLAT

W=White, T=Tan, D=Adobe

FMW0
10" Gorilla® Wrap Insert
Covers sides of 9 1/4" to 10 1/4"
AL - 10'



12" x 10' GORILLA® POST WRAP COVERAGE SLAT

W=White, T=Tan, D=Adobe

FMW2
12" Gorilla® Wrap Insert
Covers sides of 11 1/4" to 12 1/4"
AL - 10'



4 PIECE - 4" x 4" X 10' GORILLA® POST WRAP

W=White, T=Tan, D=Adobe

FPW4
4"x4" Gorilla® Wrap
Pcs/Box: 5 posts per box
Bulk: 92 posts per bundle
Length - 10'

- 4 PIECES TO MAKE 1 POST.
- FULL BOX WILL COVER A TOTAL OF (5) POSTS
- COVERS POSTS BETWEEN 3-7/16" - 4-3/8"
- ANY TWIST OR OUT OF SQUARE WILL REDUCE COVERAGE SIZE



4 PIECE - 6" x 6" X 10' GORILLA® POST WRAP

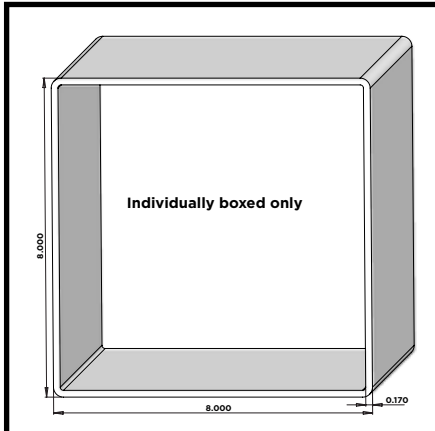
W=White, T=Tan, D=Adobe

FPW6
6"x6" Gorilla® Wrap
Pcs/Box: 4 posts per box
Bulk: 74 posts per bundle
Length - 10'

- 4 PIECES TO MAKE 1 POST.
- FULL BOX WILL COVER A TOTAL OF (4) POSTS
- COVERS POSTS BETWEEN 5-1/8" - 6"
- ANY TWIST OR OUT OF SQUARE WILL REDUCE COVERAGE SIZE

GORILLA® POSTS

POSTS

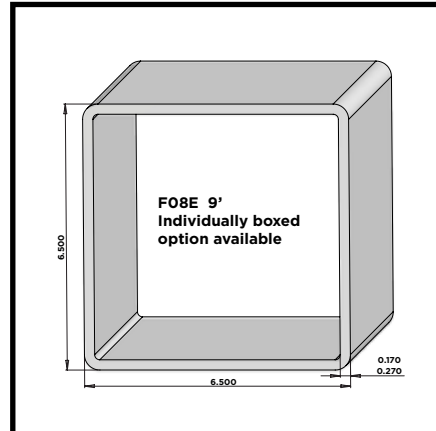


8" X 8" STANDARD POST

W=White, T=Tan, D=Adobe

F06C (0.170 wall)
8" x 8" Standard Post
Pcs/Box: 1
Boxes/Skids: 10
Refer to Commodity Sheet for Box Costs.
SOLD IN SKID BOX QUANTITIES ONLY
AL - 9'

F06C LIMITED AVAILABILITY.
RUN ONLY ONCE OR TWICE
YEARLY.

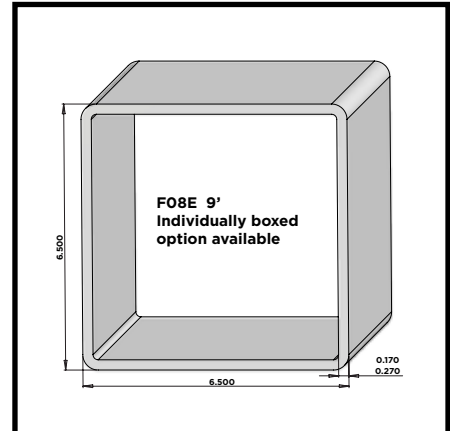


6-1/2" X 6-1/2" GORILLA® POST

W=White, T=Tan, D=Adobe

F08S (0.270 wall) 6-1/2" x 6-1/2"
Gorilla® Post
Pcs/Pallet: 21
AL - 9', 16'

F08S LIMITED AVAILABILITY.
RUN ONLY ONCE OR TWICE
YEARLY.



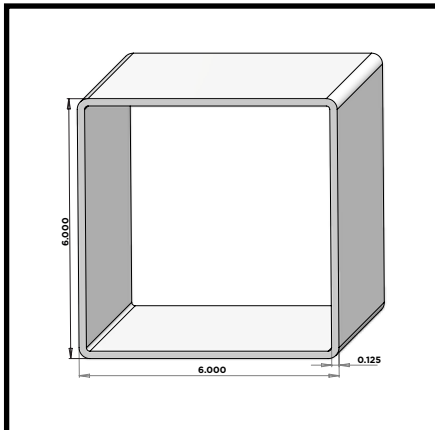
6-1/2" X 6-1/2" UTILITY POST

W=White, T=Tan, D=Adobe

F08E (0.170 wall) 6-1/2" x 6-1/2" Post
Pcs/Pallet: 49
(24', 21 pcs.)
AL - 9', 10', 12'

F08E LIMITED AVAILABILITY.
RUN ONLY ONCE OR TWICE
YEARLY.

Boxed Option for F08E:
Pcs/Box: 1 Boxes/Skids: 20 Refer to Commodity
Sheet for Box Costs.
SOLD IN SKID QUANTITIES ONLY

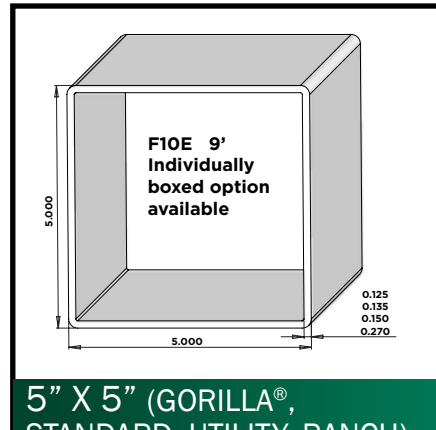


6" X 6" STANDARD POST

W=White, T=Tan, D=Adobe

F09C (0.125 wall)
6" x 6" Standard Post
Pcs/Pallet: 32
AL - 9', 10', 12', 16'

Bagging options available at extra cost for
F09C - 6" x 6" standard post for truckload
quantities from Alabama Location only.



5" X 5" (GORILLA®, STANDARD, UTILITY, RANCH) POST

W=White, T=Tan, D=Adobe

F10K (0.270 wall)
5" x 5" Gorilla® Post
Pcs/Pallet: 36 (16' & Over - 36 pcs)
AL - 9', 16', 24'
NJ - 9' (Stocked In NJ - WHITE)

F10C (0.150 wall)
5" x 5" Standard Post
Pcs/Pallet: 81 (16' & Over - 36 pcs)
AL - 7', 8', 9', 12', 16', 24'
F = Dark Gray (AL Only), L = Light Gray (AL Only)
NJ - 7', 8', 9', 12'
UT - 8', 16'
FL - 8', 9'
TX - 6'6", 7', 8', 8'6", 9', 16' (W & T only)

F10M

5" x 5" Economy Post
(Color Inside) (White Only)
Pcs/Pallet: 81
FL - 8'6" (Blanks Only)

F10E

5" x 5" Utility Post
Pcs/Pallet: 81 (16' & Over - 36 pcs)
AL - 6'6", 7', 8', 8'6", 9', 12', 16', 24'
F = Dark Gray (AL Only), L = Light Gray (AL Only)
NJ - 7', 8', 9', 12', 16', 24'
UT - 5', 6', 6'6", 7', 8', 9', 16', 24'
FL - 8', 8'6", 9', 12'
TX - 6'6", 7', 8', 9', 12'

F10J

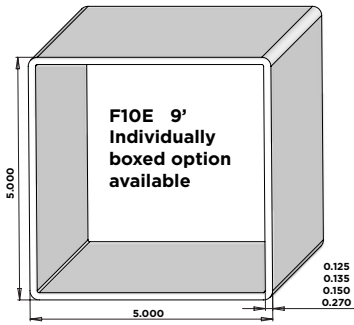
(0.125 wall)
5" x 5" Utility Ranch Post
(Color Inside)
Pcs/Pallet: 81
AL - 5', 6'6", 7'
UT - 5', 6'6", 7'
TX - 5', 6'6", 7'

Bagging options available for 6"x6", 5"x5", and 4"x4" in truck load quantities. See Made To Order Guidelines.
Availability and profile dimensions are subject to change without notice. Check with manufacturer before ordering.
All dimensions are subject to manufacturer's tolerances.

GORILLA® POSTS

POSTS

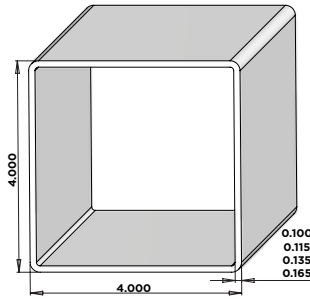
HOMEWOOD OPTION



5" X 5" STANDARD POST

HOMEWOOD OPTION F10C ONLY
 O=Mocha Walnut, A=Aspen Latte,
 I=Chai Gray, U=Green Teak,

F10C (0.150 wall)
 5" x 5" Standard Post
 Pcs/Pallet: 81 (16' & Over - 36 pcs)
 AL - 9', 12', 16'
 UT - 8', 16'



4" X 4" (GORILLA®, STANDARD, UTILITY, VALUE) POST

W=White, T=Tan, D=Adobe

F12C (0.165 wall)
 4" x 4" Gorilla® Post
 Pcs/Pallet: 121 (16' & Over - 55 pcs.)
 AL - 9', 16', 24'
 UT - 39", 45", 16'
 TN - 7', 8', 9', 10', 12', 16', 24'

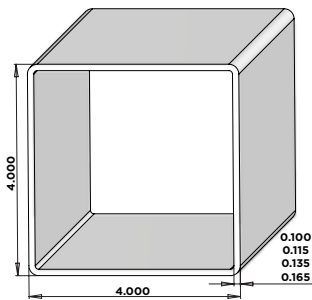
F12N (0.135 wall)
 4" x 4" Standard Post
 Pcs/Pallet: 121 (16' & Over - 55 pcs.)
 AL - 42", 48", 6', 6'6", 7', 8', 9', 10', 12', 16', 24'
 F= Dark Gray (AL Only), L= Light Gray (AL Only)
 UT - 6', 16'
 TN - 42", 48", 6', 6'6", 7', 8', 9', 10', 12', 16', 24'
 TX - 6', 16' (Stocked in TX, W & T only)

F12V (0.100 wall)
 4" x 4" Value
 (Color Inside)
 Pcs/Pallet: 121
 TN - 39", 48", 8'

F12E (0.115 wall)
 4" x 4" Utility Post
 Pcs/Pallet: 121 (16' & Over - 55 pcs.)
 AL - 39", 42", 48", 6', 6'6", 7', 8', 9', 10',
 12', 16', 24'
 TN - 39", 42", 48", 6', 6'6", 7', 8', 9',
 12', 16', 24'
 UT - 16'
 FL - 6', 16' (Stocked in FL)

Bagging options available at extra cost for F12E - 4" x 4" utility post for truckload quantities.

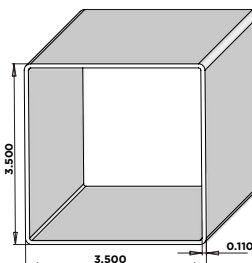
HOMEWOOD OPTION



4" X 4" STANDARD POST

HOMEWOOD OPTION F12N ONLY
 O=Mocha Walnut, A=Aspen Latte,
 I=Chai Gray, U=Green Teak

F12N (0.135 wall)
 4"x4" Standard Post
 Pcs/Pallet: 121 (16' & Over - 55 pcs.)
 AL - 16'
 UT - 16'

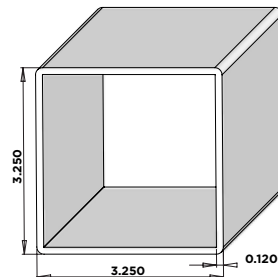


3-1/2" X 3-1/2" UTILITY POST

W=White, T=Tan, D=Adobe

F13E (0.110 wall)
 3-1/2" x 3-1/2" Utility Post
 Pcs/Pallet: 156 (16' & Over - 78 pcs.)
 AL - 6', 8', 16' ADD 6', 8'
 FL - 6' (Stocked in FL)

F13E LIMITED AVAILABILITY.
 RUN ONLY ONCE OR TWICE YEARLY.



3-1/4" X 3-1/4" STANDARD POST

W=White, T=Tan, D=Adobe

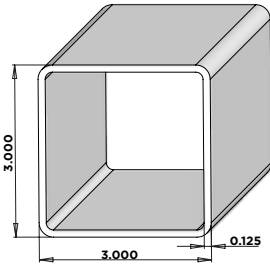
F15S (0.120 wall)
 3-1/4" x 3-1/4" Standard Post
 Pcs/Pallet: 98
 AL - 16'

F15S LIMITED AVAILABILITY.
 RUN ONLY ONCE OR TWICE YEARLY.

Bagging options available for 6"x6", 5"x5", and 4"x4" in truck load quantities. See Made To Order Guidelines.
 Availability and profile dimensions are subject to change without notice. Check with manufacturer before ordering.
 All dimensions are subject to manufacturer's tolerances.

GORILLA® POSTS

POSTS • COLUMNS

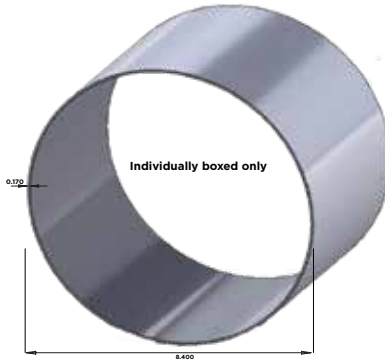


3" X 3" CO-EX STANDARD POST

W=White, T=Tan, D=Adobe

F14C (0.125 wall)
3" x 3" Co-Ex Standard Post
Pcs/Pallet: 120
AL - 16', 24'

F14C LIMITED AVAILABILITY.
RUN ONLY ONCE OR TWICE
YEARLY.



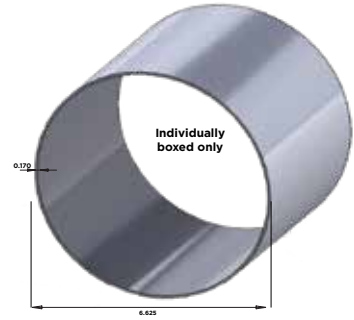
8.40" ROUND COLUMN

W=White, T=Tan, D=Adobe

TD84 (0.170 wall)
8.40" Round Column
Pcs/Box: 1
Boxes/Skid: 10

Refer to Commodity Sheet for box costs.
SOLD IN SKID QUANTITIES ONLY
AL - 9'

LIMITED AVAILABILITY.
RUN ONLY ONCE OR TWICE
YEARLY.



6.625" ROUND COLUMN

W=White, T=Tan, D=Adobe

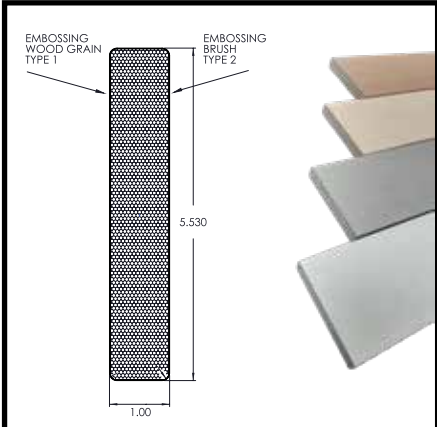
TD64 (0.170 wall)
6.625" Round Column
Pcs/Box: 1
Boxes/Skid: 20

Refer to Commodity Sheet for box costs.
SOLD IN SKID QUANTITIES ONLY
AL - 9'

LIMITED AVAILABILITY.
RUN ONLY ONCE OR TWICE
YEARLY.

DECK

GORILLA WOOD DECK BOARD & FASCIA



GORILLA® WOOD DECK BOARD

D=Adobe, L=Light Gray,
F=Dark Gray, C=Chestnut

F7A1

Gorilla Wood
1" x 5.5" Deck Board

Pcs/Pallet: 60 (20' & 24')
64 (12' & 16')

TN - 12', 16', 20', 24'



GORILLA® WOOD FASCIA BOARD

W=White, D=Adobe, L=Light Gray,
F=Dark Gray, C=Chestnut

F7A2

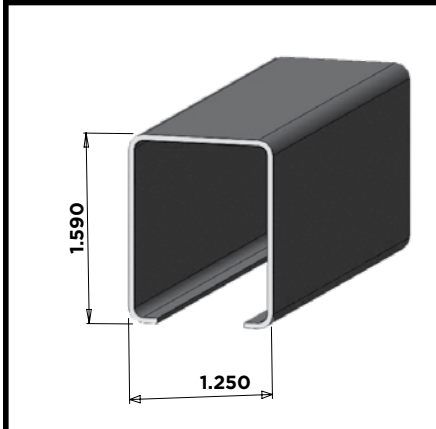
Gorilla Wood
Fascia Board

Pcs/Pallet: 40
TN - 12'

Availability and profile dimensions are subject to change without notice. Check with manufacturer before ordering.
All dimensions are subject to manufacturer's tolerances.

INSERT STIFFENER

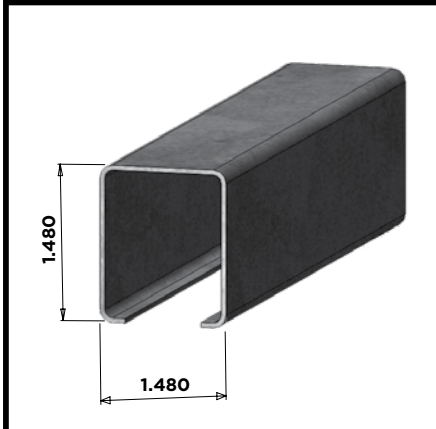
ALUMINUM INSERTS, STEEL INSERTS



**1-1/2" STEEL INSERT -
POCKET RAIL**

G3RFH121-18
 1-1/2" Steel Insert - Pocket Rail
 18 Gage
 300 Pieces Per Bundle
 UT- 71" (G3RFH121-18-71),
 93" (G3RFM147-18-93)
 TX- 93" (G3RFH121-18-93)

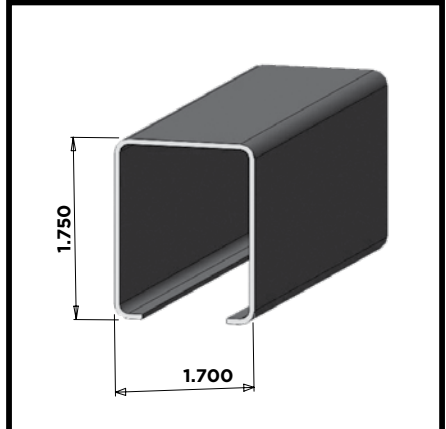
**Used with:
1-1/2" Pocket Rails**



**1-3/4" STEEL INSERT -
POCKET RAIL**

G3RFM147-18
 1-3/4" Steel Insert
 18 Gage
 400 Pieces Per Bundle
 AL- 93" (G3RFM147-18-93)
 NJ- 93" (G3RFM147-18-93)
 FL- 93" (G3RFM147-18-93)
 UT- 93" (G3RFM147-18-93)

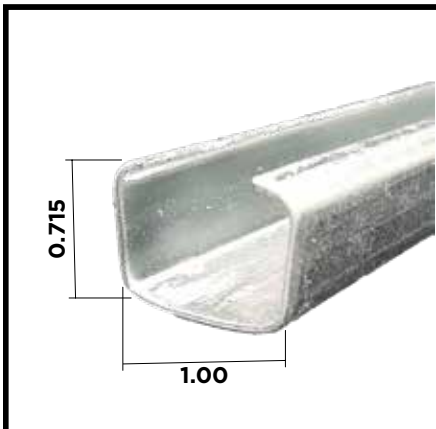
**Used with:
1-3/4" Pocket Rails**



**2" STEEL INSERT -
2" POCKET RAIL**

G3RFH148-18
 2" Steel Insert - 2" Rail
 18 Gage
 400 Pieces Per Bundle
 AL- 93" (G3RFH148-18-93)
 NJ- 93" (G3RFH148-18-93)
 UT- 71" (G3RFH148-18-71)

**Used with:
2" Pocket Rails**



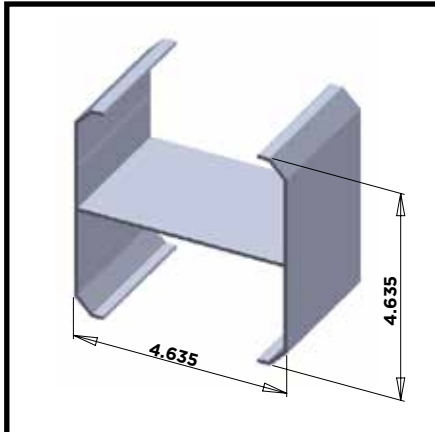
1" STEEL T&G INSERT

G3RFP255U
 1" Steel T&G Insert
 18 Gage
 200 Pieces Per Bundled
 AL- 62" (G3RFP255U-62)
 68-3/4" (G3RFP255U-68C)
 UT- 60" (G3RFP255U-60)
 68-3/4" (G3RFP255U-68C)

**Used with:
T & G Pickets**

Availability and profile dimensions are subject to change without notice. Check with manufacturer before ordering.
 All dimensions are subject to manufacturer's tolerances.

INSERT STIFFENER ALUMINUM INSERT



**5" X 5" ALUMINUM
INSERT**

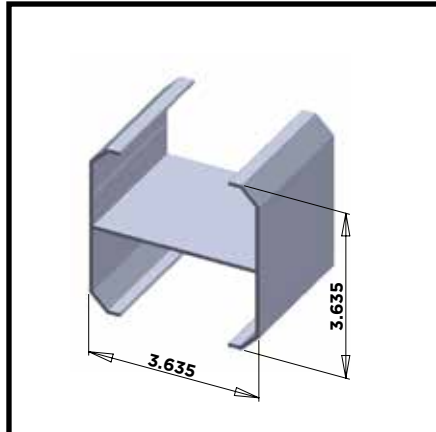
G10HA288-69243

5" x 5"

AL Plant Only

24' Lengths
Per Piece

**Used with:
5" x 5" post
(Not Gorilla wall post)**



**4" X 4" ALUMINUM
INSERT**

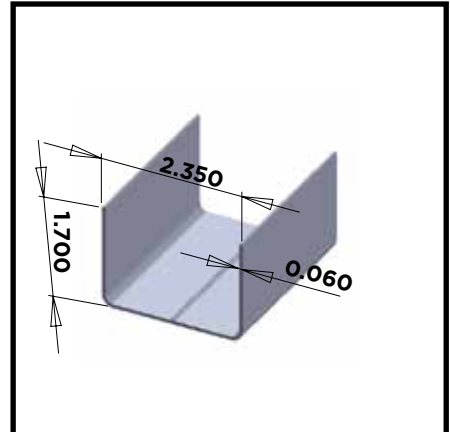
G12HA288-69312

4" x 4"

AL Plant Only

24' Lengths
Per Piece

**Used with:
4" x 4" post
(Not Gorilla wall post)**



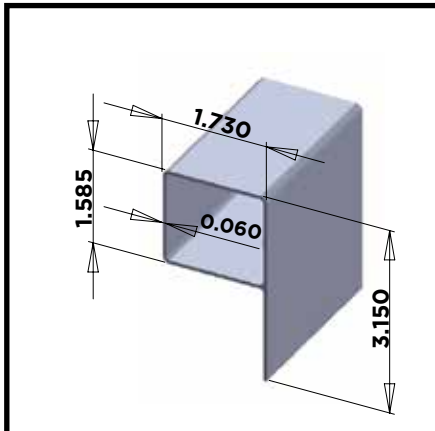
**2-1/8" X 2-3/4" DOWN
- ALUMINUM INSERT**

G26CH288-69228

2-1/8" x 2-3/4" Down

AL Plant Only

24' Lengths
Per Piece



2" X 3-1/2" & T-RAIL

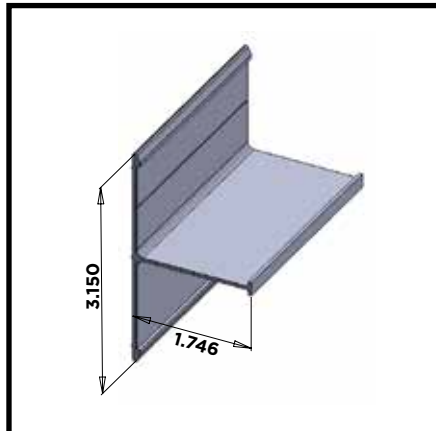
G24PA288-69227

2" x 3-1/2" & T-Rail

AL Plant Only

24' Lengths
120 Pieces per Bundle

**Used with:
Rectangular Guard Rail
T-Rail, Contour and
Deck-over Guard Rail**



T-BOTTOM RAIL

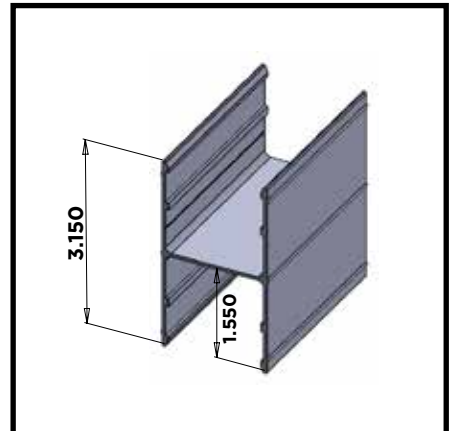
G24TA096-55028

T-Bottom Rail

AL Plant Only

72", 96" Lengths
For bottom rail only
120 Pieces per Bundle

**Used with:
Residential Guard Rail
Systems
Bottom Rail Only**



**H-RAIL - ALUMINUM
INSERT**

G24HA096-55026

H-Rail

AL Plant Only

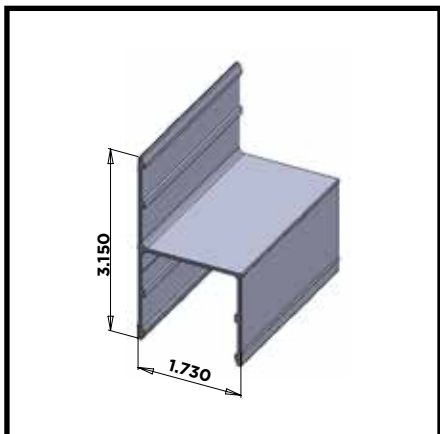
96" Lengths
For top rail only
120 Pieces per Bundle

**Used with:
Residential Guard Rail
T-Rail Only (8' Spans)**

Availability and profile dimensions are subject to change without notice. Check with manufacturer before ordering.
All dimensions are subject to manufacturer's tolerances.

INSERT STIFFENER

ALUMINUM INSERTS, NEXUS®1 & NEXUS® 2



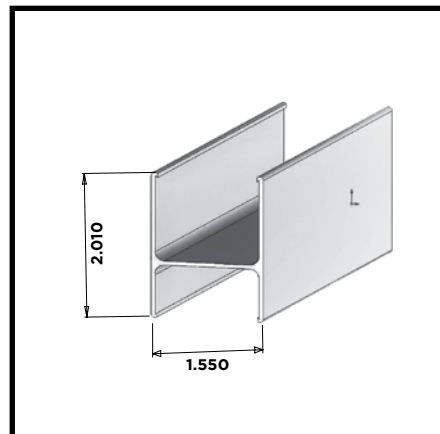
SMALL H - ALUMINUM INSERT

G24hA072-55027
Small h

AL Plant Only

72" Lengths
For top rail only
120 Pieces per Bundle

Used with:
Most Residential Guard Rail
(6' Spans)
Not Deck-over Guard Rail



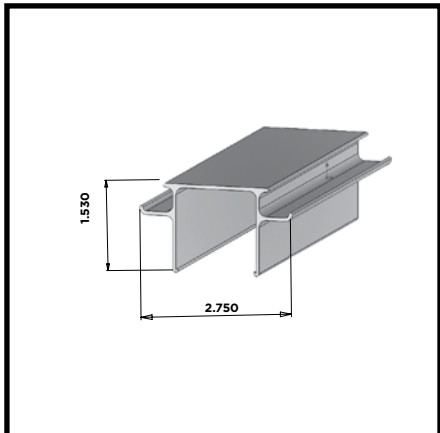
1-3/4" X 2-1/4" NEXUS® BOTTOM ALUMINUM

GMB
1-3/4" x 2-1/4" Nexus' Bottom
Aluminum Insert

Pcs/Pallet: 216
AL - 71-3/8", 95-3/8", 119-3/8"

Used with:
Nexus 1 and Nexus 2
Bottom Rail

BOTTOM RAIL



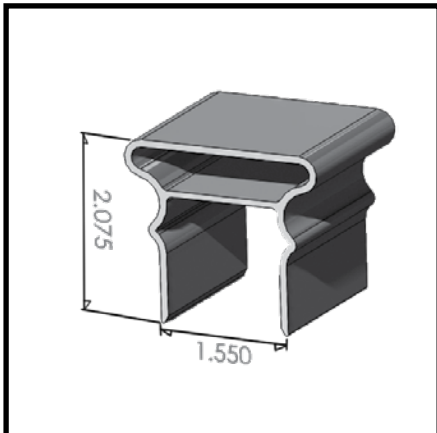
1-3/4" NEXUS® 1 T-RAIL - TOP ALUMINUM INSERT

GMT
1-3/4" Nexus' T-Rail Top
Aluminum Insert

Pcs/Pallet: 216
AL - 71-3/8", 95-3/8", 119-3/8"

Used with:
Nexus 1
Top Rail

TOP RAIL



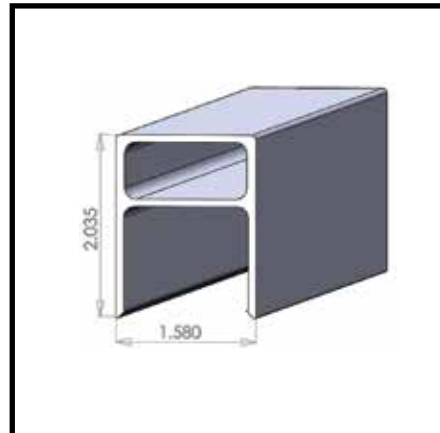
1-3/4" NEXUS® 2 T-RAIL - TOP ALUMINUM INSERT

G42C
1-3/4" Nexus' T-Rail Top
Aluminum Insert

Pcs/Pallet: 216
AL - 71-3/8", 95-3/8", 119-3/8"

Used with:
Nexus 2
Top Rail (96" Spans)

TOP RAIL



1-3/4" NEXUS® 2 T-RAIL - ALUMINUM "A" INSERT

GMXZY
1-3/4" Nexus' 2 T-Rail
Aluminum "A" Insert

Pcs/Pallet: 216
AL - 71-3/8", 95-3/8", 119-3/8"

TOP RAIL